

BRANCH LOCATIONS

APE WEST COAST

2985 Loomis Rd.
Stockton, CA 95205
Ph: (209) 942-2166
Fx: (209) 942-2455
(888) 245-4401
chrisc@apevibro.com

APE GULF

3975 FM Hwy 1485
Conroe, TX 77306
39266 Doyle Dr., Ste. A
Gonzales, LA 70737
Ph: (936) 271-1044
Fx: (936) 271-1046
(800) 596-2877
joew@apevibro.com

APE NORTHEAST

401 Hartle St.
Sayreville, NJ 08872
Ph: (732) 432-6604
Fx: (732) 432-6608
(888) 217-7524
billz@apevibro.com
paulk@apevibro.com

APE MID-WEST

50 Gerber Industrial Dr.
St. Peters, MO 63376
Ph: (636) 397-8400
Fx: (636) 278-4278
(877) 296-8044
edc@apevibro.com

APE MID-ATLANTIC

500 Newtown Rd., #200
Virginia Beach, VA 23462
Ph: (757) 518-9740
Fx: (757) 518-9741
(866) 399-7500
jimmyd@apevibro.com

APE SOUTHEAST

1345 Industrial Park Rd.
Mulberry, FL 33860
Ph: (863) 324-0378
Fx: (863) 318-9409
(800) 570-3844
jimb@apevibro.com
jimc@apevibro.com
wallyb@apevibro.com

APE CORPORATE

7032 South 196th St.
Kent, WA 98032
Ph: (253) 872-0141
Fx: (253) 872-8710
(800) 248-8498
stevec@apevibro.com
kellyg@apevibro.com
chrisw@apevibro.com

APE CANADA

1002 7th Street
Nisku, Alberta T9E 7P2
Ph: (780) 474-9888
(855) 328-9888
coling@apevibro.com

APE MEXICO

Avenida Periferico Sur 7800
Sta. Ma Tequetexpan
Tlaquepaque, Guadalajara Jalisco
Mexico CP. 45601
Ph: (786) 991-6875
Fx: (253) 872-8710
1-877-457-5022
frankis@apevibro.com

APE PILING PRODUCTS

24430 FM 1488, Ste. A
Magnolia, TX 73355
Ph: (936) 372-9760
mattf@apedrilling.com



APE HORIZONTAL SUPPORT MEMBER

DRILL TOOL CATALOG



The APE product line is protected by, but not limited to the following patent numbers:
5088565A, 5117925A, 5263544A, 5529132A, 5544979A, 5609380A, 5653556A,
5794716A, 6039508A, 6386295B1, 6427402B1, 6431795B2, 6447036B1, 6543966B2,
6648556B1, 6672805B1, 6732483B1, 6736218B1, 6896448B1, 6908262B1, 6942430B1,
6988564B2, 7168890B1, 7392855B1, 7694747B1, 7708499B1, 7824132B1, 7854871B1,
7913771B2, 7950876B2, 7950877B2, 8070391B2, 8181713B2, 8186452B1, 8434969B2,
8496072B2, 2009020005A1. For a more detailed information and a more comprehensive
list of APE patents please visit the website at www.apevibro.com/ver2/APEpatents.asp.

800-248-8498
WWW.APEVIBRO.COM



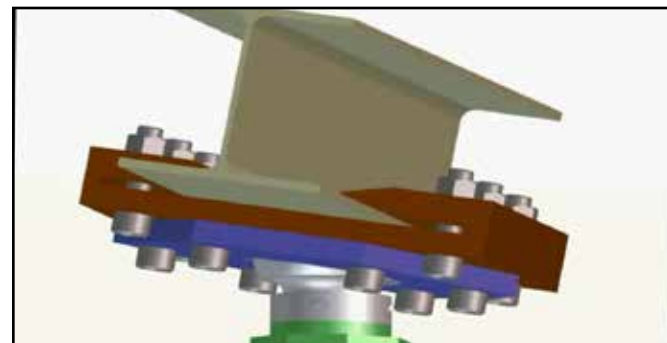
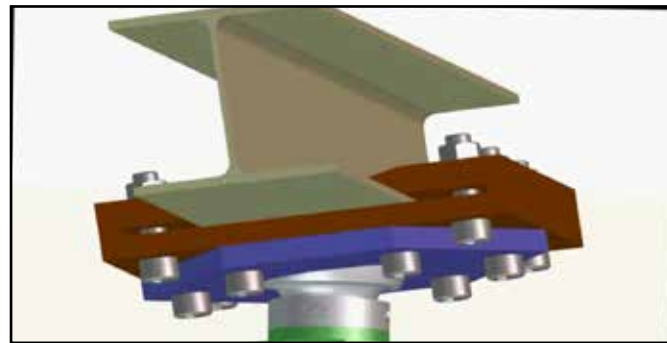
800-248-8498
WWW.APEVIBRO.COM

APE HSM

APE has had a long standing commitment to bring new ideas and advanced designs to the oil and gas industries. APE's new adjustable pile cap support base does just that. Designed to give 360 degrees of skew, elevation adjustment up to 14" and the capability to level the cap plate up to 3 degrees on both axes. Having these capabilities can combat the tedious and time consuming efforts associated with conventional forms of pile cap installation, not to mention the reduced manpower, construction equipment needs, and remote housing for crews.

Utilizing APE's patented threaded connection technology we have designed the first true weldless approach for both the VSM & HSM market. This will revolutionize above ground pipelines by providing a mechanical design that does not require precise onsite survey, welders and the multitude of additional steps needed to provide a finished product.

Line maintenance in remote areas can now be accomplished by a small crew who can access these areas without the need for costly iceroads. Lowering or raising the support structure can be achieved by turning the fine threaded adjustment shaft in order to bring the elevation back into tolerance without additional efforts.



VERSATILITY IN THE FIELD

- No welding required
- Fewer steps to install
- Pre and post installation adjustments
- Various sizes and cap plate layouts

APPLICATIONS

- Piperacks
- Cross country pipe supports
- Modular building pile
- General foundations

GENERAL CONSTRUCTION

- T1 plate
- Solid billet 4140 shaft
- Custom fabrication sizes available

